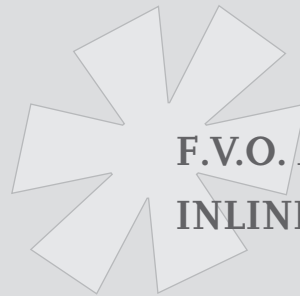


**IMF**  
CONVEYING  
SYSTEMS

# Industrial Metal Fabricators (Chatham) Ltd.

*\* The ability to innovate.*

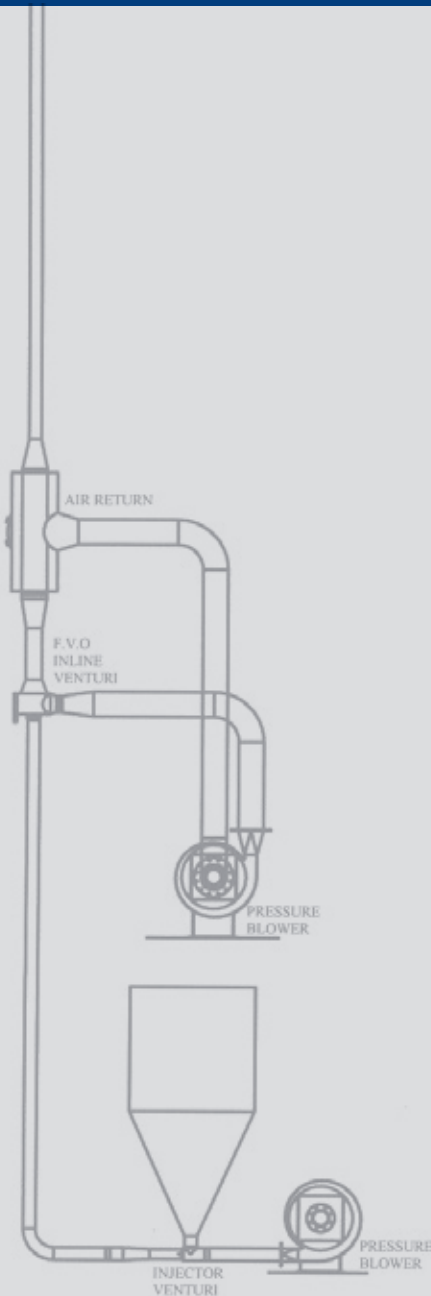


## F.V.O. ADJUSTABLE INLINE VENTURI SYSTEM

Our patented Inline Venturi System is a non-contact mode of transferring various products some of which include:

- plastics (EPP, EPS, EPE)
- continuous trim
- molded bottles
- Aluminum Cans
- finished products
- waste materials

By removing our air return unit, we are able to effectively exhaust Corrosive, explosive and hot gases. Various sizes are available from 1-36 inch diameter.

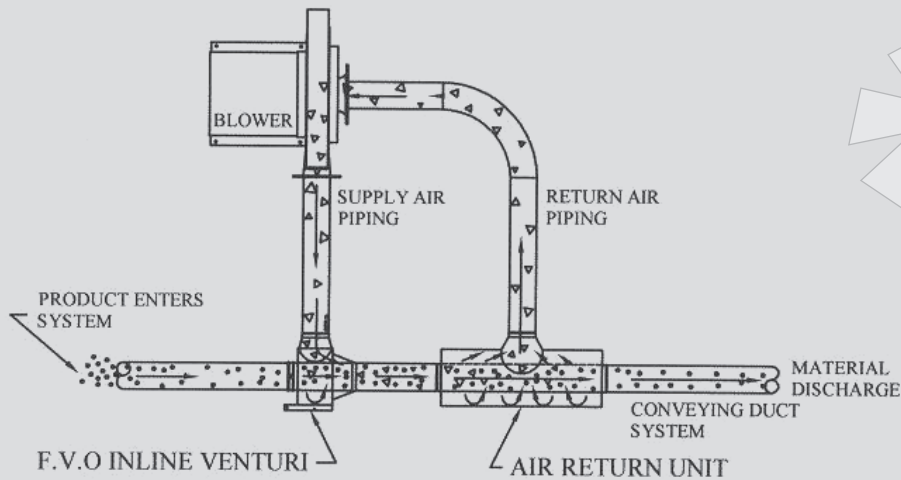


t: (519) 354-4270      f: (519) 354-4193

P.O. BOX 834 | 288 Inshes Avenue | Chatham Ontario | N7M 5L1

[www.indmetalfab.com](http://www.indmetalfab.com)

# F.V.O INLINE VENTURI SYSTEM

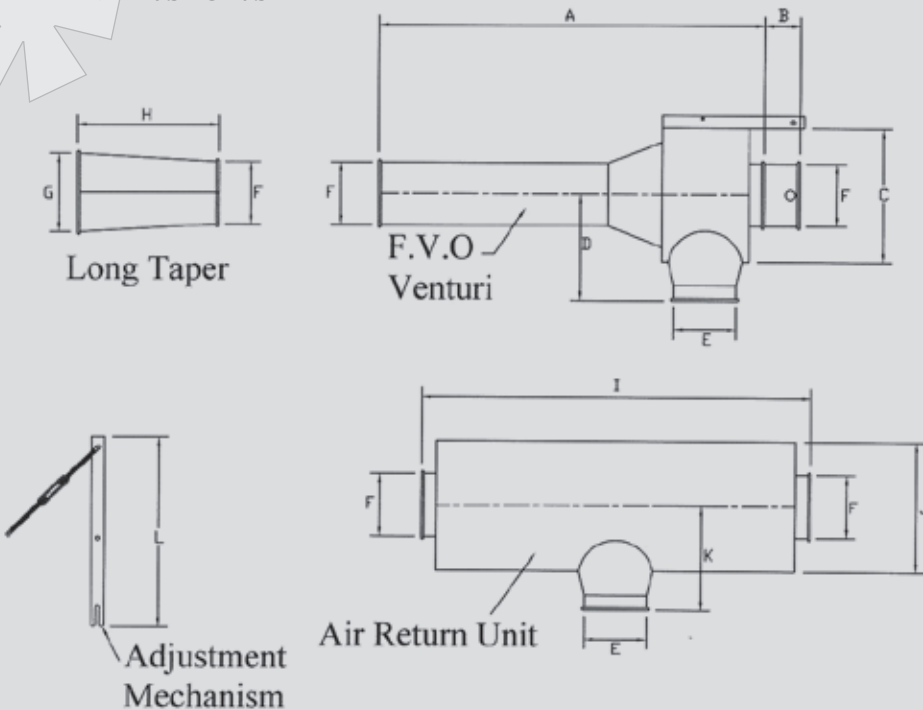


## PRINCIPLE OF OPERATION

The F.V.O. Adjustable Inline Venturi System works in conjunction with a pressure blower and piping system to effectively convey a variety of materials. Our Venturi system design boasts the following additional features:

- No Moving Parts
- Low Maintenance
- Adjustable Airflow

## DIMENSIONS



The adjustable Venturi induces the material/air mixture while the air return unit recycles the blower air, thus allowing only the induced air to pass easily through the non-restrictive system. By returning the air to the blower, we are able to maintain the same pipe sizes on both sides of the Venturi.

Patented in Canada #1273380  
 And in U.S.A. #5002092  
 By Industrial Metal Fabricators  
 (Chatham) Ltd.

FVO VENTURI SYSTEM	A	B	C	D	E	F	G	H	I	J	K	L
4"	29.5"	Variable	13"	10.375"	6.25"	3.875"	6.25"	19.75"	39.875"	13"	13"	15.25"
6"	37.75"	Variable	13"	10.625"	6.25"	6.25"	7.875"	13.875"	40"	13"	13"	15.5"
8"	44.5"	Variable	15"	11.375"	7.875"	7.875"	9.8"	13.5"	39.25"	15"	13"	16.625"
10"	55.75"	Variable	17"	13.5"	10.25"	9.8"			50.5"	18"	19.125"	23.75"
12"	75.375"	Variable	22"	21.25"	11.875"	11.875"			70.25"	22"	21.625"	25.6875"
↓	↓	↓	↓	↓	↓	↓	↓	↓	↓	↓	↓	↓
36"	228"	Variable	36"	52.5"	36"	36"						