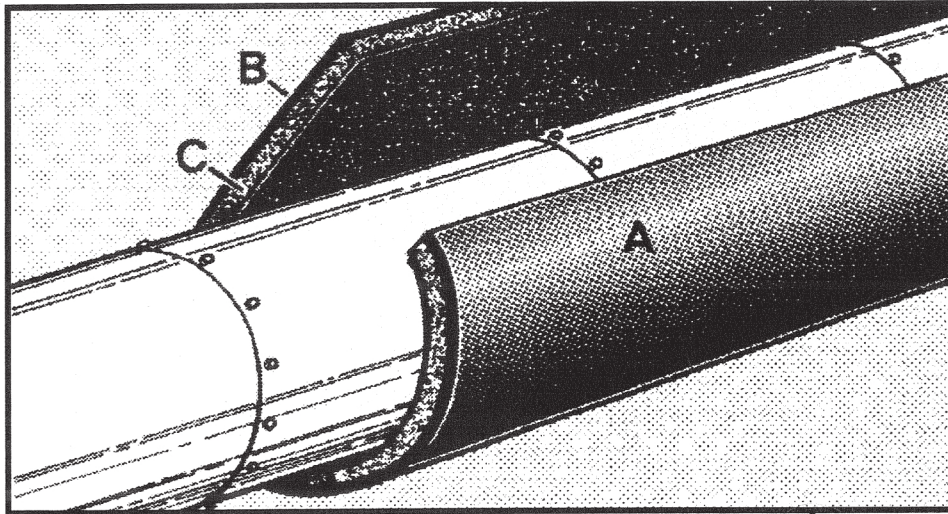


### Flexible - Decoupled NOISE BARRIER



### BARYMAT BM-1C

BM-1C is an extremely versatile noise control composite. It consists of (from the top down) **A.** a clear, tough polyester cover for contamination and weather resistance, **B.** a loaded, flexible, 1.6 lb. per sq. ft.

barrier for transmission loss, **C.** a 0.25 in. urethane foam decoupler. Barymat BM-1C is very effective as an acoustic lagging to reduce breakout noise in pipes and ducts and can be used to increase transmission loss in walls and ceilings. BM-1C is easy to cut with common utility knives.

Installation is very simple. Sections should overlap to eliminate any gaps in the barrier and maintain best acoustic performance. For Secure and permanent installations use reinforced duct-tape, bands or specified adhesive - available from Industrial Metal Fabricators.

### HIGH PERFORMANCE - 20 to 40 dBA Reductions

Chart shows typical performance when bonded to 16 gauge steel. Performance will vary according to mass (thickness) of material it is adhered to.

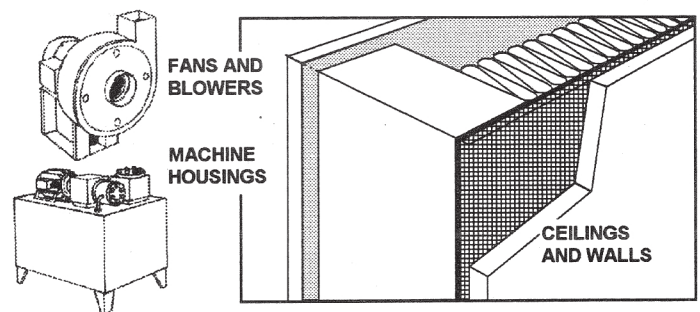
Transmission Loss (dB)/Frequency (Hz)							
125 Hz	250	500	1000	2000	4000	STC	
23	23	30	42	47	53	34	

### MATERIAL DATA

**SHEET SIZE** 54" x 72" (27 sq. ft.)  
**ROLL SIZE** 54" x 30' (135 sq. ft.)  
**THICKNESS** Approx. .3125 in.  
**COMPOSITE WEIGHT** 1.7 lb./sq. ft.

Where weight restrictions are a consideration, BM-1A, with a 1.0 lf. per sq. ft. barrier is available.

### BM-1C IS USED AS AN EXTERNAL 'WRAP' OR LIMP BARRIER WITHIN STRUCTURES TO CONTROL NOISE LEAKAGE OR PENETRATION.



### RELATED TECHNICAL REFERENCE

Data Sheets Available:	Sheet Number
BARYMAT BM-1C (& BM-1A)	3.501
ADHESIVES	3.901
TAPES	3.903
BM-1C in Walls/Pipes & Ducts,	3.806/3.810

### IDEAL FOR: INDOOR AND OUTDOOR USE

- DUCTING
- PIPING
- GAS LINES
- CYCLONES
- STACKS
- FANS
- BLOWERS
- PUMPS
- MACHINE HOUSINGS
- CABINETS
- PANELS
- HYDRAULIC SYSTEMS
- CEILINGS AND WALLS

### CORPORATE OFFICE

288 Inshes Avenue  
 Chatham, Ontario  
 N7M 5L1

Phone: (519) 354-4270  
 Fax: (519) 354-4193  
[www.indmetalfab.com](http://www.indmetalfab.com)